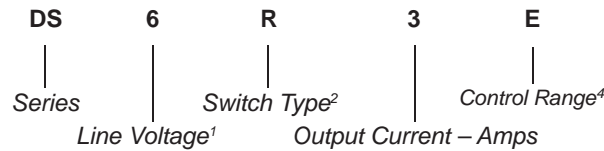


Part Number	Description
DS6R3E	3A, 60 Vdc

Part Number Explanation



NOTES

- 1) Line Voltage (nominal) 6 = 60 Vdc
- 2) Switch Type: R = Random turn-on
- 3) Control Range: E = 3-30 Vdc

MECHANICAL SPECIFICATION

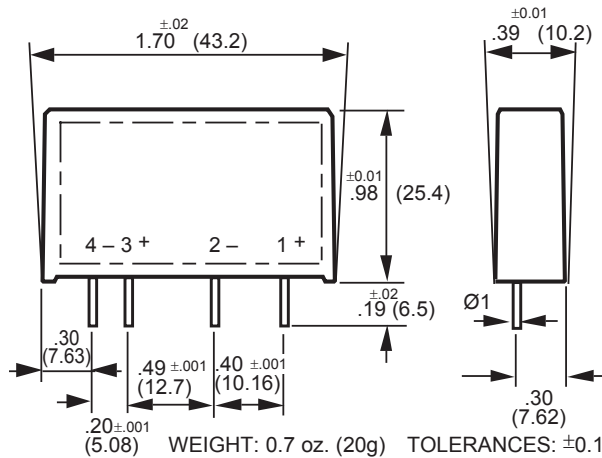


Figure 1 – DS relays; dimensions in inches (mm)

BLOCK DIAGRAM

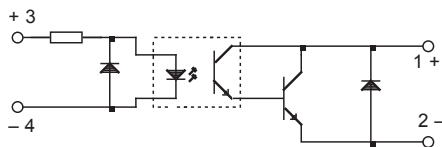


Figure 2 – DS relays



FEATURES/BENEFITS

- Industry standard package
- Surge tolerant
- Compact size

DESCRIPTION

The DS 3-amp solid-state single inline package (SIP) four-pin relays are designed for mounting on printed circuit boards. The relays are designed for medium power DC loads. The Series DS relay is an alternative to electromechanical and reed relays.

APPLICATIONS

- Programmable logic controllers
- Instrumentation
- Test equipment
- Solenoid drivers

TYPICAL APPLICATION

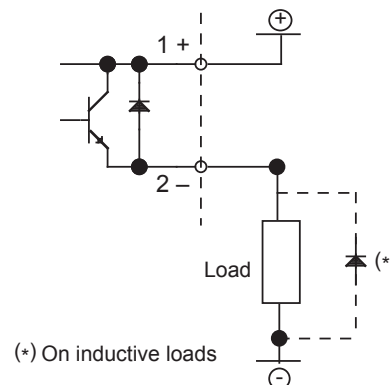


Figure 3 – DS relays

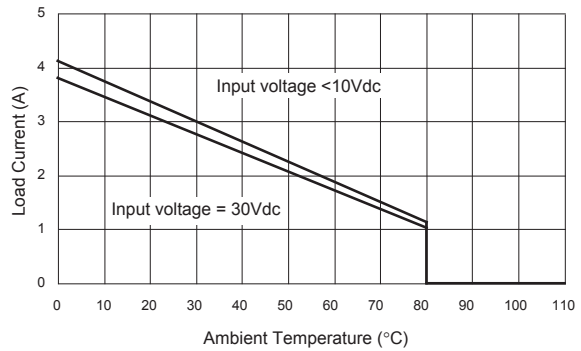
INPUT (CONTROL) SPECIFICATION

	Min	Max	Units
Control Range	3	30	Vdc
Input Current Range	1	30	mAdc
Must Turn-Off Voltage		1	Vdc
Input Resistance (Typical)		1000	Ohms

OUTPUT (LOAD) SPECIFICATION

	Min	Max	Units
Operating Range	2	60	Vdc
Peak Voltage		60	Vpeak
Load Current Range	.005	3	A
Maximum Surge Current Rating (Non-Repetitive)		10	Apeak
On-State Voltage Drop		1.6	Vdc
Off-State Leakage Current		1	mA
Turn-On Time	200		μs
Turn-Off Time	800		μs
Off-State dv/dt	200		V/μs
Switching Frequency	0	500	Hz

LOAD CURRENT DERATING CURVES



ENVIRONMENTAL SPECIFICATION

	Min	Max	Units
Operating Temperature	-40	80	°C
Storage Temperature	-40	105	°C
Input-Output Isolation		2500	Vrms
Input-Output Capacity		8	pF

NOTES

- 1) Electrical specifications at 25°C unless otherwise specified
- 2) On inductive loads, a free-wheeling diode (or clamp) is recommended
- 3) For additional/custom options, contact factory.